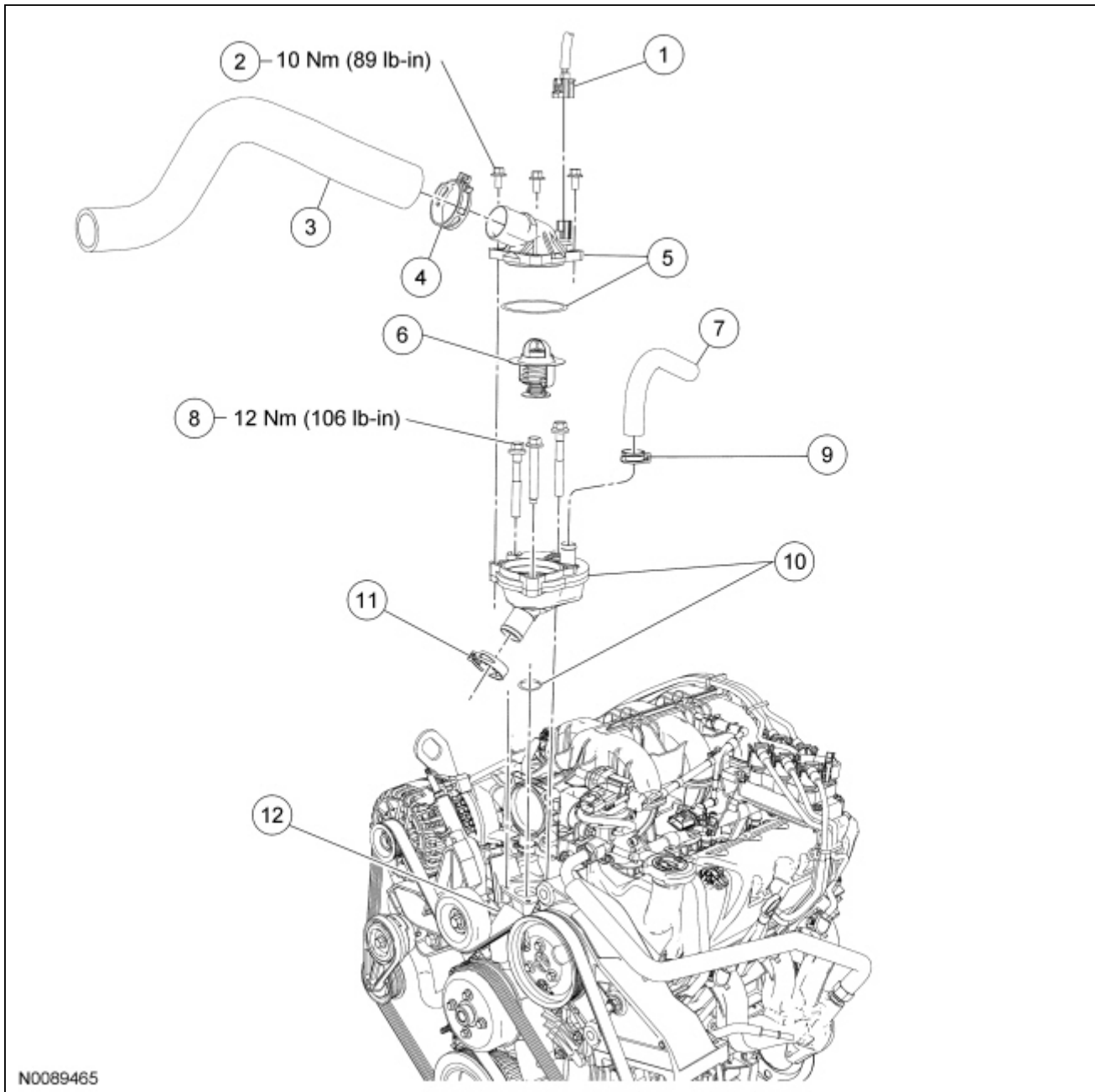


Thermostat and Thermostat Housing — Exploded View

4.0L (SOHC)

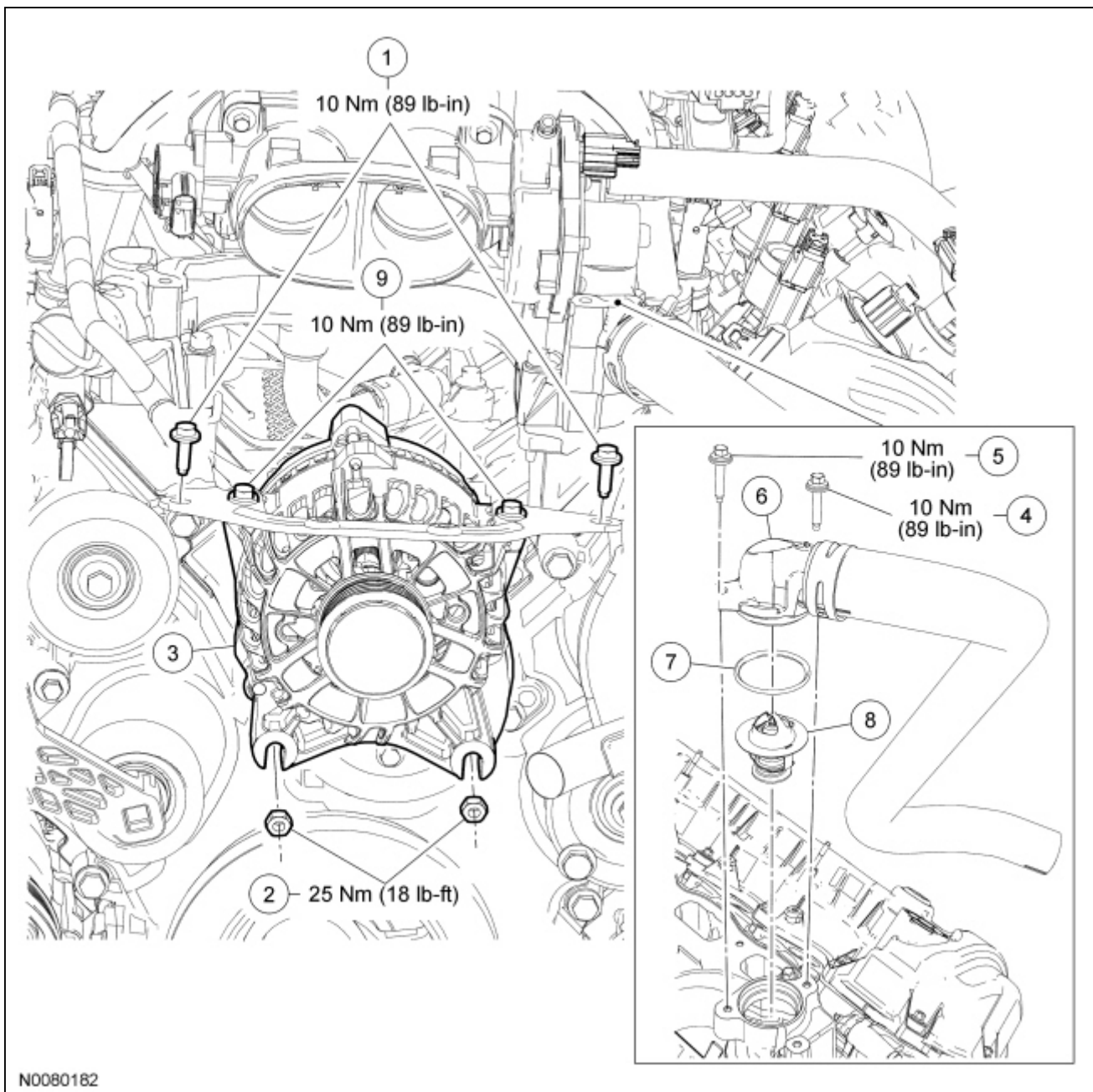


N0089465

Item	Part Number	Description
1	14A464	Engine Coolant Temperature (ECT) sensor electrical connector
2	W500015	Upper thermostat housing bolt (3 required)
3	8260	Upper radiator hose
4	W525966	Upper radiator hose clamp
5	8A586	Thermostat housing cover and gasket

6	8575	Thermostat
7	18472	Heater inlet hose
8	W702527	Lower thermostat housing bolt (3 required)
9	—	Heater inlet hose clamp (part of 18472)
10	8A586	Thermostat housing with O-ring seal
11	W525966	Bypass hose clamp
12	8548	Bypass hose

4.6L (3V)

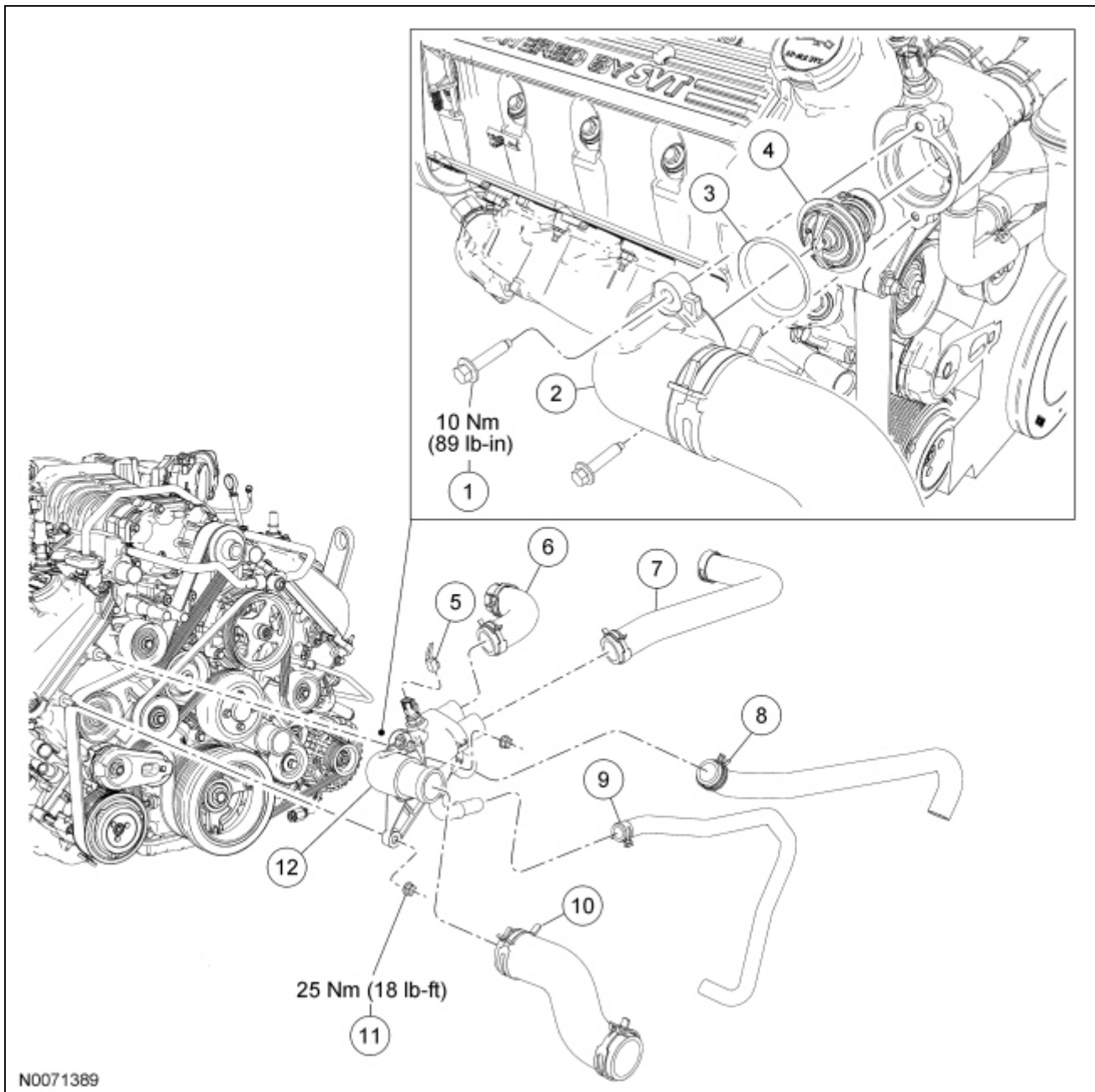


N0080182

Item	Part Number	Description
1	N807309	Generator support bracket outer bolts (2 required)
2	N804758	Generator nuts (2 required)

3	10300	Generator
4	W503279	LH thermostat cover bolt
5	W503279	RH thermostat cover bolt
6	8594	Thermostat cover
7	N806807	Thermostat O-ring seal
8	8575	Thermostat
9	N807309	Generator support bracket inner bolts (2 required)

5.4L (4V)



Item	Part Number	Description
1	N605893	Thermostat housing cover bolt (2 required)
2	8594	Thermostat housing cover

3	—	O-ring seal
4	8575	Thermostat
5	14A464	Engine Coolant Temperature (ECT) sensor electrical connector
6	8A595	Thermostat housing-to-intake manifold hose
7	8A595	Thermostat housing-to-intake manifold hose
8	8A594	Thermostat housing-to-lower radiator hose assembly
9	6B851	Thermostat housing-to-oil filter adapter hose
10	8B274	Thermostat housing-to-radiator hose
11	W520413	Thermostat housing nut (2 required)
12	9K478	Thermostat housing

1. For additional information, refer to the procedures in this section.
-